

Preparation unit——GA Series

GAF100 Series Filter



Symbol



Specification

Model	GAF100M5	GAF10006
Fluid	Air	
Port size [Note1]	M5	1/8"
Filtering grade	40μm or 5μm	
Pressure range	0.15~0.9MPa(20~130psi)	
Max. pressure	1.0MPa(145psi)	
Proof pressure	1.5MPa(215psi)	
Temperature range	-5~70°C(Unfreeze)	
Capacity of drain bowl	6CC	
Weight	55g	

[Note 1] NPT thread is available.

Ordering code

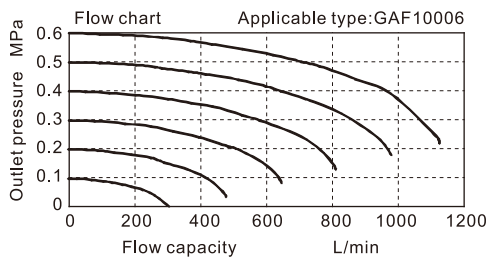
GAF100 □ 06 □ J W T



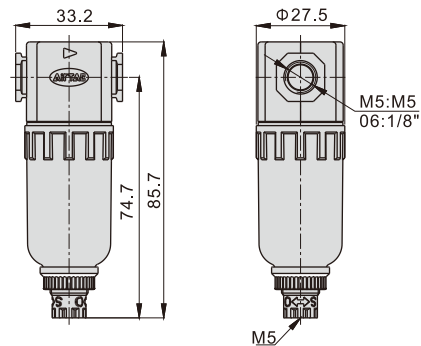
① Model	② Bowl material	③ Port size	④ Drain type	⑤ Accessories	⑥ Filtering grade	⑦ Thread type[Note1]
GAF100:GA100 Series Filter	Blank : PC	M5: M5 06: 1/8	Blank: Semi-auto drain +Manual drain	J: No bracket	Blank: 40μm W: 5μm	T: NPT

[Note 1] Standard M5 thread is blank here.

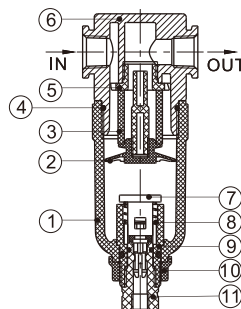
Flow chart



Dimensions



Inner structure



No.	Item	Material
1	Drain bowl	PC
2	Umbrella baffle	POM
3	Filter core	HDPE
4	O-ring	NBR
5	Air guider	POM
6	Body	Aluminum alloy
7	Piston	POM
8	Spring	Stainless steel
9	Fixed baffle	POM
10	Fixing nut	POM
11	Drain cock	POM